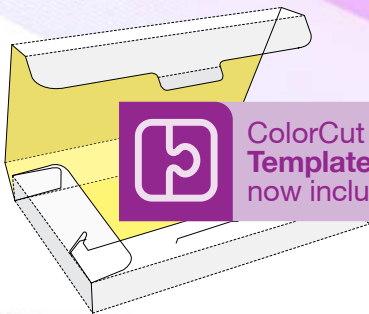
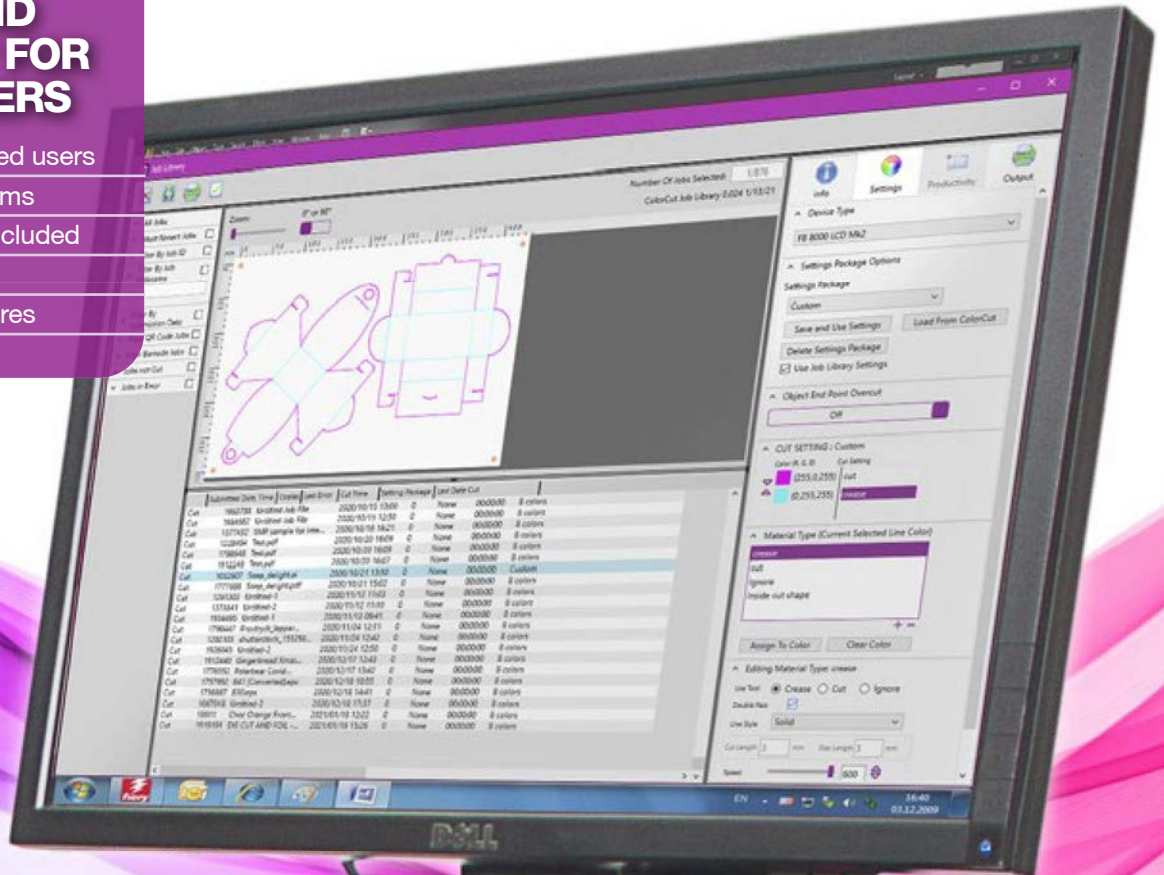


### MAXIMISING WORKFLOW AND PRODUCTIVITY FOR COLORCUT USERS

- Central hub for networked users
- Unifies connected systems
- New: Template Maker included
- Job cut file library
- Powerful workflow features



**ColorCut  
Template Maker  
now included**

Advanced functionality  
and networked workflow  
maximizes cutter productivity

# ColorCut Pro Server Station

colorcut pro

Realize the full potential of ColorCut Pro software, through the ColorCut Pro Server Station. Its innovative features will streamline the entire cutting process, increase workforce productivity, reduce costs and increase profits.

### Hello central hub

Implement the Intec ColorCut Pro Server Station into your organisation and benefit instantly from a highly efficient central hub, at the heart of graphic design and post-press production.

By off-loading final jobs from designers' computers and into the production workflow, the Server Station enables the design studio to continue with their creative tasks, whilst enabling print production staff to pick up the process of job cutting, without further impact upon the design studio's time or physical movements.

Connecting each networked graphic designers' system and integrating with the print/finishing room, workflow is accessible by all and automation is seamless. Users can be independently located throughout the networked premises if desired.

Along with its innovative features, the Server Station provides a 'level playing field' for all associated devices – removing the headaches often suffered by varying operating systems and conflicting program versions on one network.



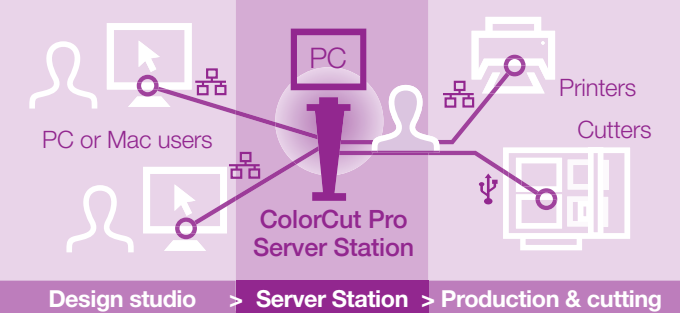
View product  
on Intec website



Intec

## Networked workflow

Typical ColorCut Pro Server Station system workflow:



### Loaded with advanced features

Versions of ColorCut Pro residing upon the Server Station are commissioned to operate at a much more advanced level than 'stand alone' versions. All Server Station users will benefit from a whole host of premium-grade features which make a quantum leap in functionality and productivity.

**Job Library Manager:** Acting very much like a RIP workflow, this sophisticated feature brings massive functionality to the networked library of cut job files. One central and synchronized source for all ColorCut users.

**Template Maker:** As of version 4.00, this plugin allows networked design studio users to produce bespoke cut files to suit their projects prior to adding artwork. The designer simply enters the overall L x W x H dimensions for their package and the plugin calculates all the inner dimensions, folds, creases, tucks and flaps. The vector box template file is exported and the design content can be added on another layer, within Adobe® Illustrator® or CorelDRAW®.

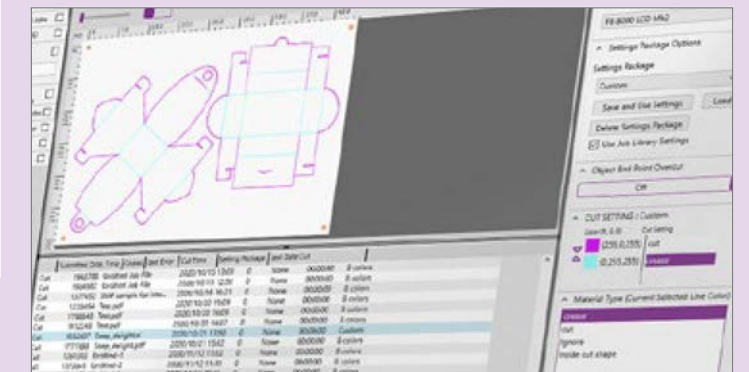
**2 additional user seats:** Additional users are included in the licence for Server Station customers.

**SmartColors:** Random colors specified in supplied artwork for cutting, creasing, perforation tasks, get migrated to SmartColors to suit the ColorCut environment - and also get saved for each time that job is recalled.

**PC and Mac compatible:** Cut files can be received from both PC and Mac directly into the Server Station Job Library Manager.

**Virtually zero errors:** The simplicity of having one central hub for all users and the way in which users become trained to adopt a common working practice - means the Server Station makes production errors, a problem of the past.

## Command your workflow



Job Library Manager is a repository for all saved cut files - where all material actions for each job are saved for instant re-use for reprints or when called upon in future use.

### Template Maker

Units:  mm  cm  inch

Length:

Width:

Height:

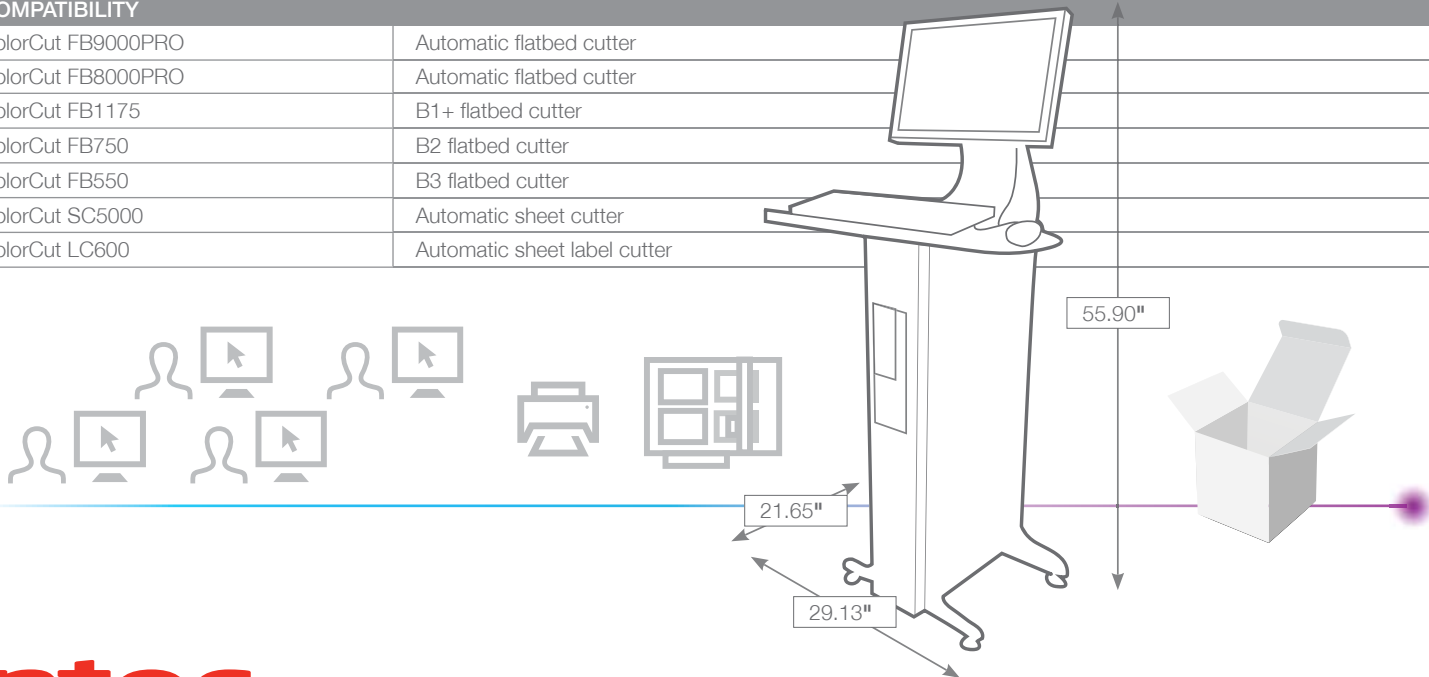
Template Maker allows users to create cut file templates in a range of basic shapes to suit their project's needs. Each finished file is exported as either an Adobe® Illustrator® or CorelDRAW® compatible vector file which can then be worked on for design content.

## Create own digital die lines

# Specifications



Intec ColorCut Server Station	
OVERVIEW	
ColorCut Pro Server Station	The Server Station is supplied complete with a powerful work station pre-installed with ColorCut Pro software suite, a flat screen monitor, mouse and keyboard
COLORCUT PRO SOFTWARE SUITE	
Production Studio	This is the core operating software to enable operation of any ColorCut device and for designer's client version for creation of cut files and saving to ColorCut Pro Job Library. 2 user licences included.
Job Library Manager	A network library for cut files, pre-installed on the Server Station and provides one central and synchronized source for all ColorCut users
Template Maker	Create simple cartons and shaped items using the installed Template Maker and save these cut files for multiple use by all authorized users
Software User Licence	The Server Station includes an additional software User Licence enabling two extra user seats
PC SPECIFICATION	
Hardware Specification	<b>Processor:</b> Intel i5, 64bit 6 Core processor (6 Cores/9MB/6T/3.0GHz to 4.4GHz/65W). <b>Memory:</b> 8GB Ram. <b>Storage:</b> Min 256GB HDD. <b>Graphics Card:</b> Intel® Integrated Graphics. <b>USB Ports:</b> 8 Ports (4 front, 4 at rear, - 2 used for Keyboard & Mouse, leaving 6 available). <b>Optical drive:</b> DVD+/-RW 9.5mm Optical Disk Drive. <b>Monitor:</b> LED-backlit LCD monitor - 20" 1600 x 900
Stand Specification	<b>Premium - Ergonomic WorkStation Server Stand:</b> Adjustable Monitor Bracket, for 25 degree tilt. Keyboard shelf with left or right handed mouse area. PC locking bracket
PC POWER	
Power supply	180w, 6.8A (110-220v), 3.4A (200-240v)
Approvals	Complies with CE, RoHs directive, Energy Star
SERVER STATION POD	
Weight (unpacked) including stand	97lbs
Dimensions W x D x H	29.13" x 21.65" x 55.90" (740 x 550 x 1420mm)
COMPATIBILITY	
ColorCut FB9000PRO	Automatic flatbed cutter
ColorCut FB8000PRO	Automatic flatbed cutter
ColorCut FB1175	B1+ flatbed cutter
ColorCut FB750	B2 flatbed cutter
ColorCut FB550	B3 flatbed cutter
ColorCut SC5000	Automatic sheet cutter
ColorCut LC600	Automatic sheet label cutter



**Intec (A division of Plockmatic Document Finishing Inc.)**  
 16011 N. Nebraska Avenue,  
 Lutz, FL 33549 USA Tel: +1 813-949-7799 Email: [intecus@intecprinters.com](mailto:intecus@intecprinters.com)  
[www.intecprinters.com](http://www.intecprinters.com)

**Plockmatic Document Finishing Inc.**  
 7911 Lehigh Crossing, Victor 14564 USA  
 Tel: +1 585-267-7692  
[www.plockmaticgroup.com](http://www.plockmaticgroup.com)

